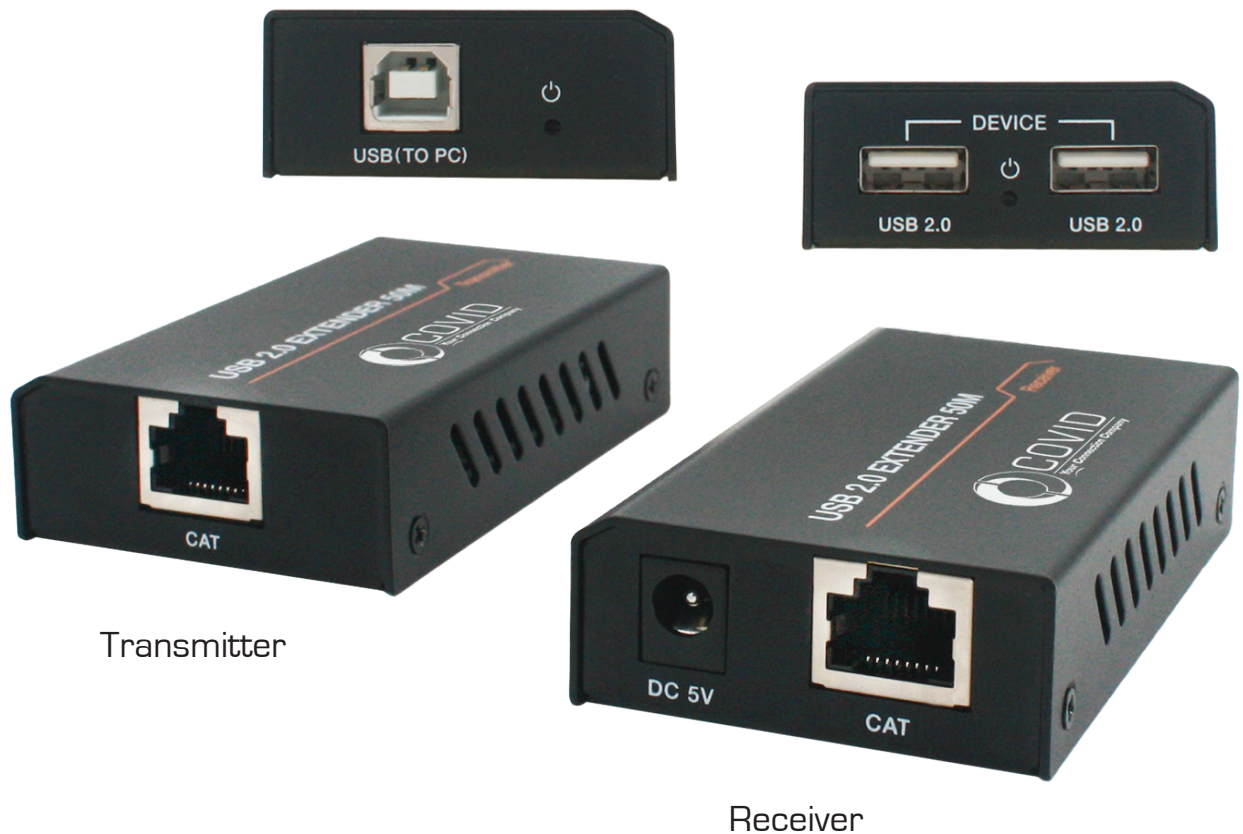


## USB 2.0 Extender (50M)



Transmitter

Receiver

EUC-200

## **Thank you for purchasing this product**

For optimum performance and safety, please read these instructions carefully before connecting, operating, or adjusting this product. Please keep this manual for future reference.

## **Surge protection device recommended**

This product contains sensitive electrical components that may be damaged by electrical spikes, surges, electric shock, lightning strikes, etc. Use of surge protection systems is highly recommended in order to protect and extend the life of your equipment.

## **Table of Contents**

1. Introduction . . . . .	2
2. Features . . . . .	2
3. Package Contents . . . . .	2
4. Specifications . . . . .	3
5. Operation Controls & Functions . . . . .	4
5.1. Transmitter Panel . . . . .	4
5.2. Receiver Panel . . . . .	5
6. Application Example . . . . .	6
Warranty . . . . .	7
Safety Information . . . . .	7

**EUC-200**

## 1. Introduction

The EUC-200 can extend USB signals up to 164 ft (50 meters) via a Cat5e/6 cable. On the transmitter side, the USB-B port is connected to a PC, and on the receiver, a device such as USB disk, printer, etc. The product is simply plug and play, no driver installation required.

## 2. Features

- Supports USB 2.0 protocol, transmission rate up to 480Mbps
- Supports distances up to 164ft (50 meters) via CAT5e/6 cable (Note: The transmission distance can only up to 131.2ft (40 meters) some USB 2.0 Hubs)
- One USB-B port input on transmitter
- Two USB 2.0 ports output on receiver
- Power is only necessary on receiver side
- No driver installation required
- Compact design for easy and flexible installation

## 3. Package Contents

Quantity	Item
1	USB 2.0 Extender (Transmitter)
1	USB 2.0 Extender (Receiver)
1	USB cable (USB-B male head to USB-A male head, one meter)
1	5V/1A Power Adapter
1	User Manual

**EUC-200**

## 4. Technical Specifications

<b>Technical</b>	
USB protocol	USB 2.0
Transmission Distance	50M (Note: The transmission distance can only up to 40 meters for some USB 2.0 Hubs)
ESD Protection	Human-body Model: ±8kV (Air-gap discharge) , ±4kV (Contact discharge)

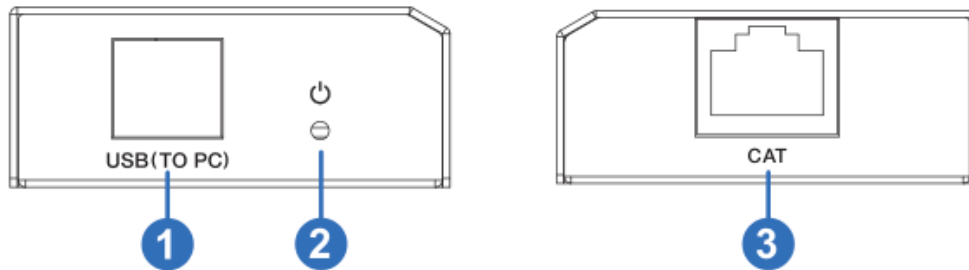
<b>Connections</b>	
Transmitter	Input Port: 1×USB [USB-B, female] Output Port: 1×CAT [RJ45, female]
Receiver	Input Port: 1×CAT [RJ45, female] Output Port: 2×USB [USB-A, female]

<b>Mechanical</b>	
Housing	Metal Enclosure
Color	Black
Dimensions	Transmitter / Receiver: 82mm (W)×49mm (D)×20mm (H)
Weight	Transmitter: 100g Receiver: 100g
Power Supply	Input: AC100~240V 50/60Hz Output: DC 5V/1A
Power Consumption	Transmitter: 0.7W Receiver: 1W
Operation Temperature	0°C ~ 40°C / 32°F ~ 104°F
Storage Temperature	-20°C ~ 60°C / -4°F ~ 140°F
Relative Humidity	20~90% RH (non-condensing)

EUC-200

## 5. Operation Controls and Functions

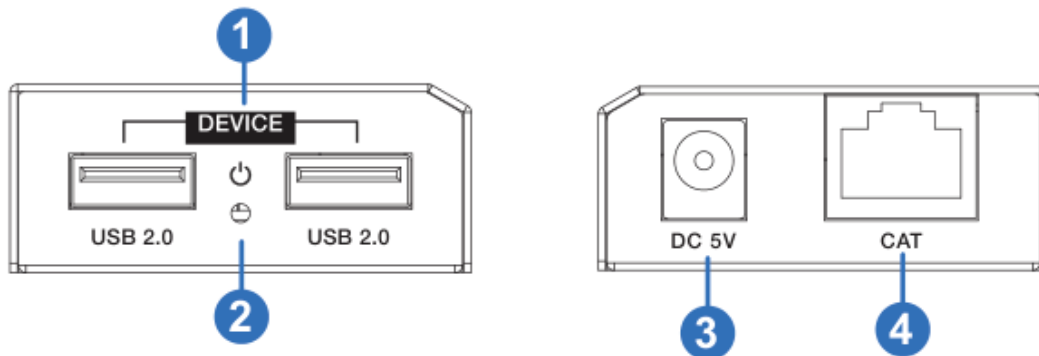
### 5.1 Transmitter Panel



Number	Name	Function Description
1	USB port	USB-B female to connect a PC
2	POWER LED	Power LED indicator. The green LED will illuminate when transmitter is provided power.
3	CAT port	The CAT port is the connection between the transmitter and receiver by a CAT5e/6 cable.

EUC-200

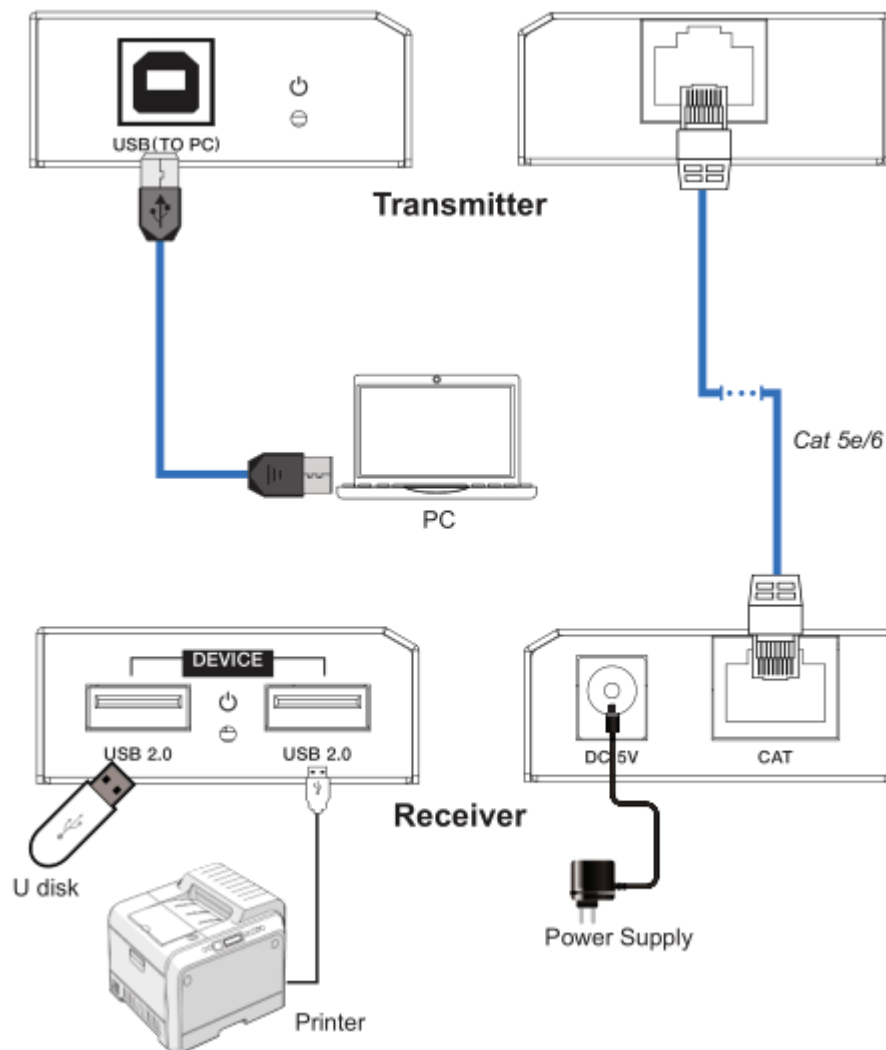
## 5.1 Receiver Panel



Number	Name	Function Description
1	USB 2.0 port	Connection for USB device.
2	POWER LED	Power LED indicator. The green LED will illuminate when the receiver is powered.
3	DC 5V	Plug 5V/1A DC power supply into the unit and connect the adapter to an AC outlet.
4	CAT port	The CAT port is the connection between the transmitter and receiver by a CAT5e/6 cable.

EUC-200

## 6. Application Example



EUC-200

## Warranty

Parts and labor warranty time is three year and from the date of original shipment. This warranty shall be void if a serial number has been removed from the product.

Upon determination of a legitimate defect covered by this warranty and at COVID's sole discretion, user should bear the transport cost during the warranty.

If product is out of warranty then repair charge is required. Out of warranty repairs will only be made after cost has been approved by Customers and proper financial arrangements are made. Customer must cover round trip shipment expenses.

## Safety Information



To reduce the risk of electric shock, do not expose this product to rain or moisture.



Do not modify the wall plug. Doing so will void the warranty and safety features.



If the wall plug does not fit into your local power socket, hire an electrician to replace your obsolete socket.



This equipment should be installed near the socket outlet and the device should be easily accessible in the case it requires disconnection.

**EUC-200**