

TECHNICAL SPECIFICATION

EHB-240



Description: HDBaseT Transmitter/Receiver Set with USB 2.0

Why This HDBaseT Set? This 18Gbps HDBaseT Extender can extend HDMI signal, bi-directional IR control signal and USB KVM signal to a distance up to 150m via a single CAT6 cable.

Key Features

- HDMI 2.0b and HDCP 2.2 compliant
- Support 18Gbps video bandwidth
- Support video resolution up to 4K2K@60Hz YUV 4:4:4
- The transmission distance can be extended up to 492ft / 150m at the resolution of 1080P@60Hz, or 394ft / 120m at 4K2K@60Hz 4:4:4 via a single CAT6 cable
- Support bi-directional IR signal and USB KVM signal pass-through
- Support bi-directional POC (Power over Cable) function
- Support USB 2.0 transmission
- EDID management
- Compact design for easy and flexible installation



Package Contents

- 1 x 18Gbps HDBaseT Extender (Transmitter)
- 1 x 18Gbps HDBaseT Extender (Receiver)
- 1 x IR Blaster cable (1.5 meters)
- 1 x IR Wideband Receiver cable (1.5 meters)
- 4 x Mounting Ears
- 8 x Machine Screws (KM3*4)
- 1 x 24V/1A Locking Power Supply
- 1x User Manual



HDBaseT Transmitter/Receiver with USB 2.0

Part Number:	EHB-240
Revision Number:	1
Date:	08-30-22
Page Number:	1 of 4

1723 W. 4th Street Tempe Arizona 85281
P: 800.638.6104 | F: 480.966.6728 | E: sales@covid.com | www.covid.com

Disclaimer: Conditions of use may vary. Information is subject to change without notice.

TECHNICAL SPECIFICATION

EHB-240



Specifications

Technical

HDMI Compliance	HDMI 2.0b
HDCP Compliance	HDCP 2.2
Video Bandwidth	18 Gbps
Video Resolution	Up to 4K2K@60Hz YUV 4:4:4
USB Compliance	USB 2.0
IR Level	5Vp-p
IR Frequency	Wideband 20K-60KHz
Transmission Distance	1080P@60-150m, 4K60-120m
Color Space	RGB 4:4:4, YCbCr 4:4:4, YCbCr 4:2:2, YCbCr 4:2:0
Color Depth	8-bit, 10-bit, 12-bit (1080P), 8-bit (4K60), 8-bit, 10-bit, 12-bit (4K24/30)
HDR	HDR, HDR10, HDR10+, Dolby Vision, HLG
Audio Format	LPCM 7.1CH, Dolby True HD and DTS-HD Master
ESD Protection	Human body model — ±8kV (Air-gap discharge) & ±4kV (Contact discharge)

Mechanical

Housing	Metal Enclosure
Silkscreen Color	Black
Transmitter Dimensions	140mm (W)×65mm (D)×18mm (H)
Receiver Dimensions	140mm (W)×65mm (D)×18mm (H)
Transmitter Weight	245g
Receiver Weight	249g
Power Supply	DC 24V/1A; Supports bi-directional POC function
Power Consumption	13.2W (Max)
Operation Temperature	0°C ~ 40°C / 32°F ~ 104°F
Storage Temperature	-20°C ~ 60°C / -4°F ~ 140°F
Relative Humidity	20~90% RH (non-condensing)

Part Number:	EHB-240
Revision Number:	1
Date:	08-30-22
Page Number:	2 of 4

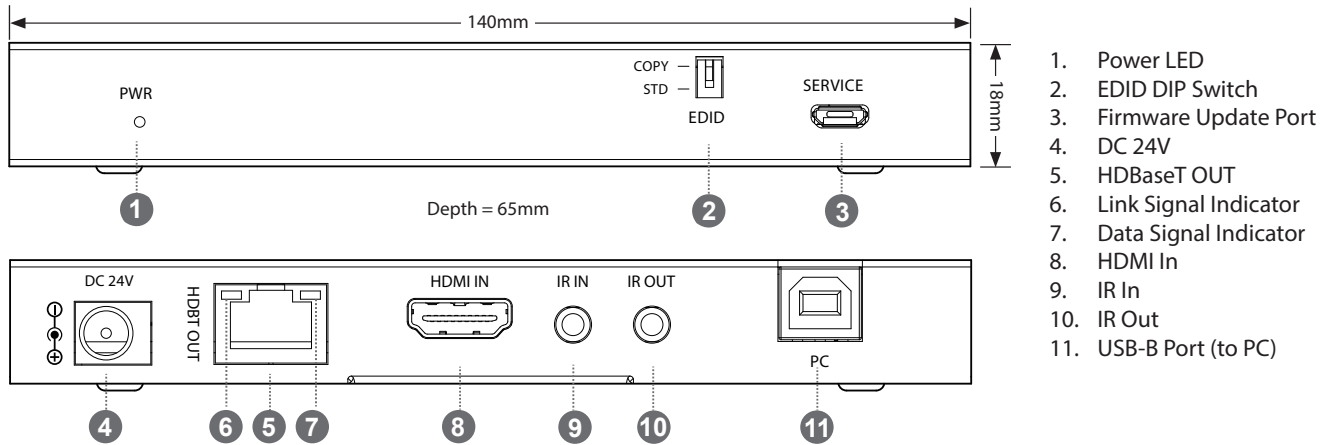
HDBaseT Transmitter/Receiver with USB 2.0

1723 W. 4th Street Tempe Arizona 85281
P: 800.638.6104 | **F:** 480.966.6728 | **E:** sales@covid.com | www.covid.com

TECHNICAL SPECIFICATION EHB-240

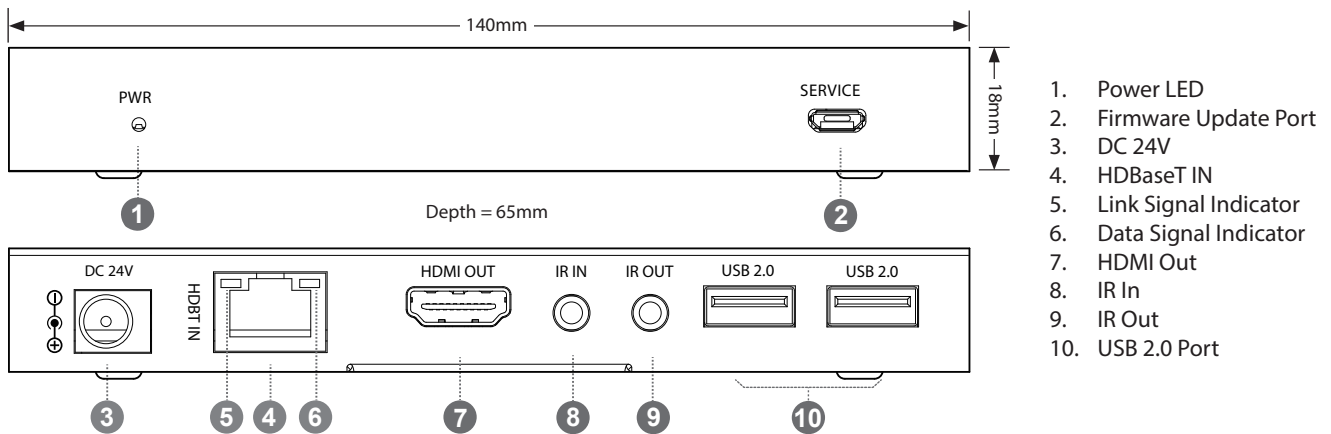


Transmitter



1. Power LED
2. EDID DIP Switch
3. Firmware Update Port
4. DC 24V
5. HDBaseT OUT
6. Link Signal Indicator
7. Data Signal Indicator
8. HDMI In
9. IR In
10. IR Out
11. USB-B Port (to PC)

Receiver



1. Power LED
2. Firmware Update Port
3. DC 24V
4. HDBaseT IN
5. Link Signal Indicator
6. Data Signal Indicator
7. HDMI Out
8. IR In
9. IR Out
10. USB 2.0 Port

Part Number:	EHB-240
Revision Number:	1
Date:	08-30-22
Page Number:	3 of 4

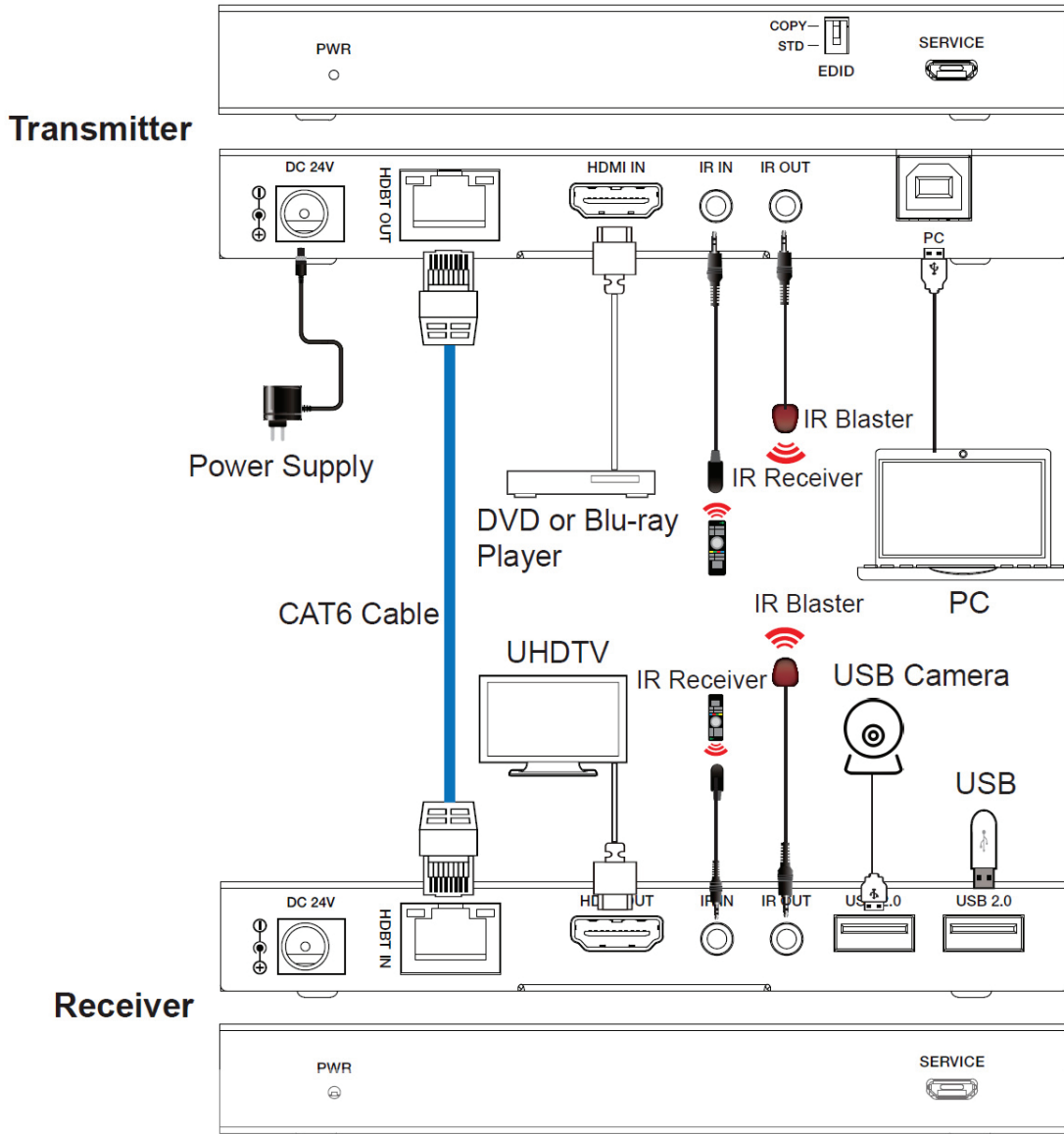
HDBaseT Transmitter/Receiver with USB 2.0

1723 W. 4th Street Tempe Arizona 85281
 P: 800.638.6104 | F: 480.966.6728 | E: sales@covid.com | www.covid.com

TECHNICAL SPECIFICATION EHB-240



Application Example



Part Number:	EHB-240
Revision Number:	1
Date:	08-30-22
Page Number:	4 of 4

HDBaseT Transmitter/Receiver with USB 2.0

1723 W. 4th Street Tempe Arizona 85281
 P: 800.638.6104 | F: 480.966.6728 | E: sales@covid.com | www.covid.com