

# TECHNICAL SPECIFICATION



Front View



Back View

## HDBase-T Slim-Line Transmitter THB-200

Part Number:	THB-200
Revision Number:	1.1
Date:	11-21-2017
Page Number:	1 of 5

1723 W. 4th Street Tempe Arizona 85281

P: 800.638.6104 | F: 480.966.6728 | E: sales@covid.com www.covid.com

# TECHNICAL SPECIFICATION



## Introduction

This HDBaseT transmitter can extend HDMI over a single CAT5e/6/6A cable. This product offers Bi-directional IR, RS-232 and Bi-directional PoC making any professional A/V set-up more efficient and easy to use. Uncompressed video and audio can be transmitted up to 230ft/70m. This design of HDBaseT™ technology allows for full usage of HDMI and controls over CAT5e/6/6A cable. This unit can be paired with any Covid HDBase-T receiver product.

## Features

- HDMI 1.4b, HDCP 2.2 and 1.4
- Video resolutions up to 4K2K@30Hz
- Audio up to 7.1 channels of High Definition audio pass through (LPCM, Dolby TrueHD, and DTS-HD Master Audio).
- Supports HDMI High Bit Rate (HBR) audio pass through
- POC (Power Over Cable) functionality is supported, either TX or RX is powered by a 24V@1A power supply. POC Power consumption is less than 10W.

### See the description 1

- Transfer Bidirectional RS-232 control signal together with the HDMI signal.

### See the description 2

- Transmission distance: Over CAT6 cable  
70 meters: 1080P @60Hz36bit; 3D1080P@30Hz36bit;  
40 meters: 1080P @60Hz@48bit; 1080P @120Hz@24bit;  
3D1080P@60Hz@36bit; 4K x 2K@30Hz@24bit.

## Package Contents

- HDMI Extender Transmitter - 1PC
- 24V1A DC Power Supply - 1PC
- Wideband IR Emitter - 1PCS
- Wideband IR Receiver - 1PCS
- Mounting Brackets - 2PCS
- 3pin Screw Terminal Plug - 1PCS
- Operation Manual - 1PC

## HDBase-T Slim-Line Transmitter THB-200

Part Number:	THB-200
Revision Number:	1.1
Date:	11-21-2017
Page Number:	2 of 5

1723 W. 4th Street Tempe Arizona 85281

P: 800.638.6104 | F: 480.966.6728 | E: sales@covid.com www.covid.com

# TECHNICAL SPECIFICATION



## Technical Specifications

Technical	
HDMI Compliance	HDMI 1.4b
HDCP Compliance	HDCP 2.2 and HDCP 1.4
Video Bandwidth	297MHz [10.2Gbps]
Video Resolutions	up to,4K2K@30Hz,1080P@120Hz, and 1080P 3D@60Hz
Color Space	RGB, YCbCr 4:4:4, YCbCr 4:2:2
Color Depth	10-bit, 12-bit
HDMI Audio Formats (Pass-through)	LPCM 2/5.1/7.1CH, Dolby Digital, DTS 5.1, Dolby Digital+, Dolby TrueHD, DTS-HD Master Audio, Dolby Atmos, DTS:X
ESD Protection	Human body model - +/- 8kV (air-gap discharge) & +/-4kV (contact discharge)

Connections	
Inputs	1x HDMI Type A [19-pin female] 1x DC Power In 1x RS232 [Screw Terminal] 1x IR Receiver
Outputs	1x IR Emitter 1x HDBaseT In [RJ45]

Mechanical	
Housing	Metal Enclosure
Color	Black
Dimensions	65mm [W] x 115mm [D] x 17mm [H]
Weight	200g
Power Supply	Input: AC100 - 240V 50/60Hz Output: DC 24V/1A (US/EU standards, CE/FCC/UL certified)
Power Consumption	6W (Max)
Operation Temperature	32 - 104 °F / 0 - 40 °C
Storage Temperature	-4 - 140°F / -20 - 60°C
Relative Humidity	20 - 90% RH (no condensation)

## HDBase-T Slim-Line Transmitter THB-200

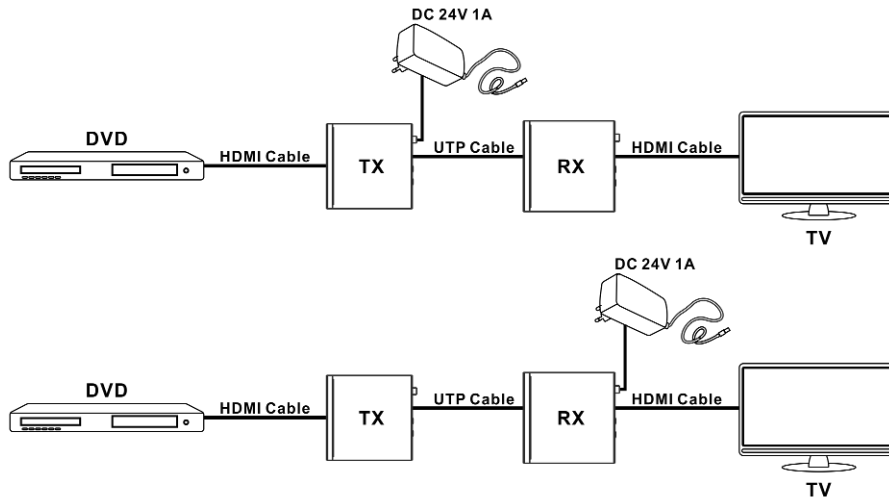
Part Number:	THB-200
Revision Number:	1.1
Date:	11-21-2017
Page Number:	3 of 5

1723 W. 4th Street Tempe Arizona 85281

P: 800.638.6104 | F: 480.966.6728 | E: sales@covid.com www.covid.com

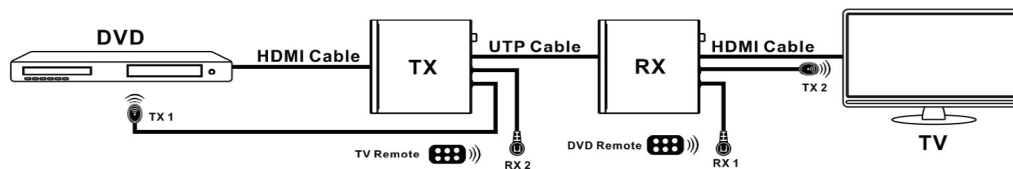
## Description 1

### POC (Power Over Cable) Application Example



## Description 2

### Bidirectional Infrared Control Application Example

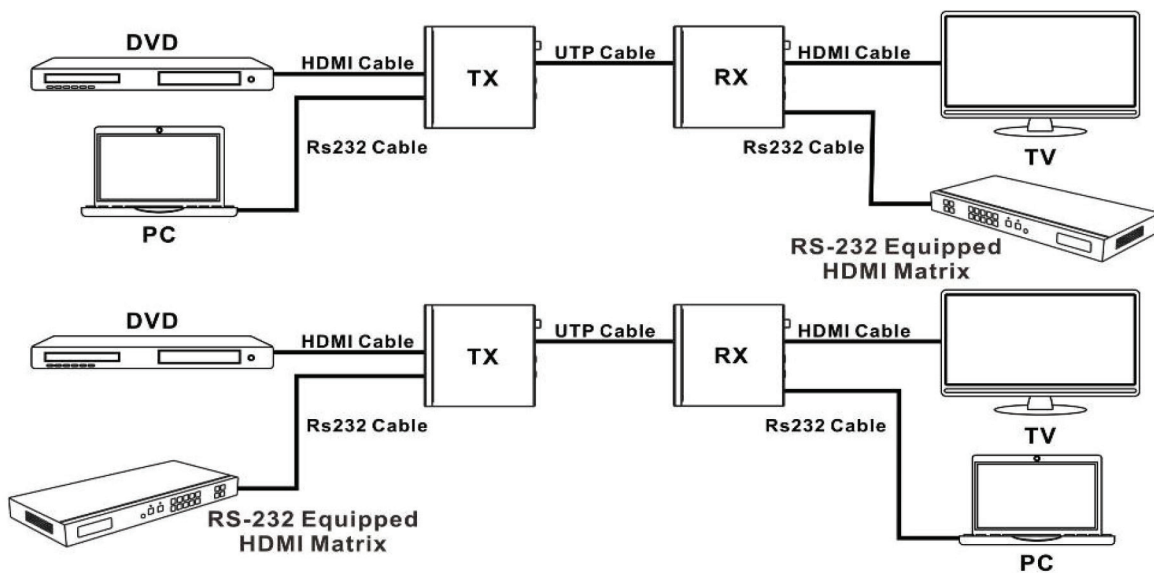


## HDBase-T Slim-Line Transmitter THB-200

Part Number:	THB-200
Revision Number:	1.1
Date:	11-21-2017
Page Number:	4 of 5

## Description 3

### Bidirectional RS232 Control Application Example



## HDBase-T Slim-Line Transmitter THB-200

Part Number:	THB-200
Revision Number:	1.1
Date:	11-21-2017
Page Number:	5 of 5