



Front View



Back View

HDBT Receiver RXB-A320 & RXB-B320

Part Number:	RXB-A320 & RXB-B320
Revision Number:	1
Date:	10-1-2016
Page Number:	1 of 5

Introduction

The RXB-320 is part of Covid's expanding line of HDBase-T products. The RXB-320 offers an all in one solution when audio stripping is needed on the receiving end. This is done by the integrated audio de-embedder which offers a 3.5mm TRS stereo line level connection to run to ceiling amps or any other audio need. The RXB-320 also offers bidirectional IR and Rs232 control when paired with a compatible transmitter. Single side connections for HDMI, Control, and Power that provides for cleaner wiring and rack mounting solutions. The RXB-320 supports local or remote powering options thru POC or PoE PD standards.

Package Contents

- 1×RXB-320
- 1×24V 1A DC power adapter
- 2×Wall mounting tabs

Key Features

- Supports HDMI up to 1080p@60Hz 48bit up to 230ft over one Cat5e/6/7 cable
- Support HDMI 4Kx2K and 3D
- HDCP Compliant
- All connections on one side for easier installation
- Bi-directional RS-232,IR
- Power units from either TX or RX side with wall power supply (PoC) or power with PoE PD
- Status LED for all connections on front
- Integrated audio de-embedder

HDBT Receiver RXB-A320 & RXB-B320

Part Number:	RXB-A320 & RXB-B320
Revision Number:	1
Date:	10-1-2016
Page Number:	2 of 5

Audio De-embedding Feature

Unique to the RXB-320 is the ability to extract the audio from the HDMI input through a 3.5mm TRS on the RX side of the signal chain. The output is a stereo unbalanced signal that can be sent to an external amplifier.

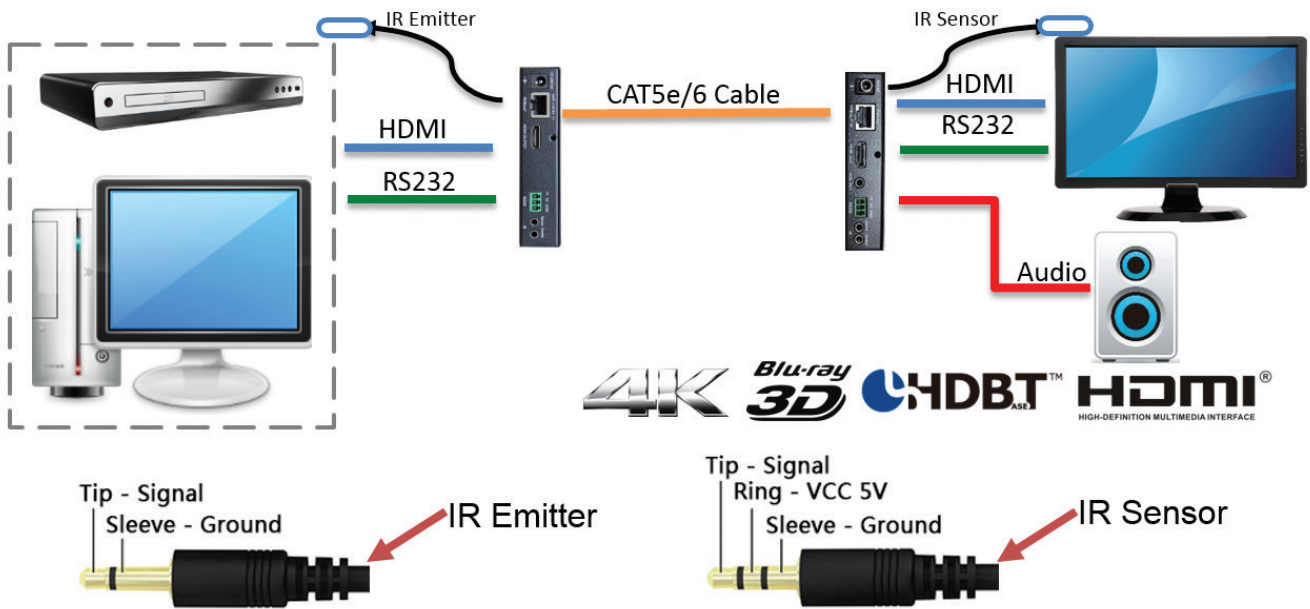
Technical Specifications

Video	
HDMI Compliance	HDMI 3D, 4K
HDCP Compliant	Yes
Distance	230ft. (70m) on 1080p@60Hz
Max Resolution	4K*2K
Connectors	
TX Connectors	(1) HDMI, (1)Rj45(HDBT),(2)IR,(1)RS232
RX Connectors	(1) HDMI, (1)Rj45(HDBT),(2)IR,(1)RS232, (1)3.5mmTRS
Mechanical	
Dimensions	111 x 75 x 25 mm(L/W/H)
Net Weight	1.06lbs[480g]
Package Size	255 x 140 x 90 mm(L/W/H)
Gross Weight	1.676lbs[760g]
Power	
Power Supply	24V 1A DC
Environmental	
Operation Temperature	32~131°F [0~55°C]
Storage Temperature	-4~185°F [-20~85°C]
Relative Humidity	5~95% RH [no condensation]

HDBT Receiver RXB-A320 & RXB-B320

Part Number:	RXB-A320 & RXB-B320
Revision Number:	1
Date:	10-1-2016
Page Number:	3 of 5

Connection and Installation



HDBT Receiver RXB-A320 & RXB-B320

Part Number:	RXB-A320 & RXB-B320
Revision Number:	1
Date:	10-1-2016
Page Number:	4 of 5

TECHNICAL SPECIFICATION

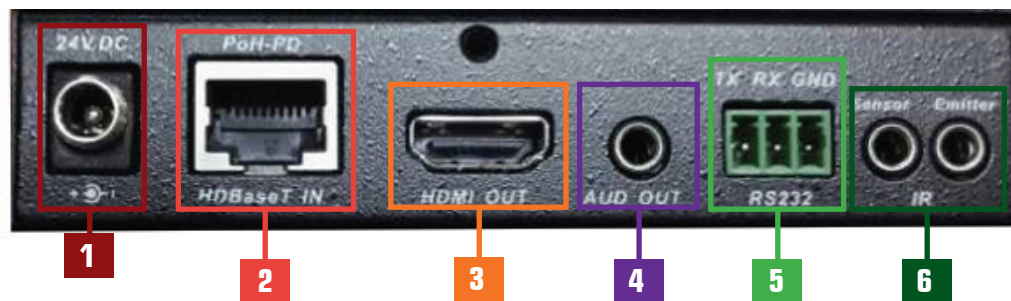


Panel Description

Front Panel



1. **Act:** This green LED will blink showing that the device is functioning normal on both the receiver and the transmitter.
2. **Pwr:** This red LED indicator will show solid when the product is receiving power.
3. **HDMI:** This green LED solid status shows that the HDCP link is present between the source and the display. A blinking condition indicates there is not a HDCP connection, and an off condition shows a problem between the device and the source/destination in the HDMI connections.
4. **HDBT:** This green LED solid illumination shows that all connections are good and the source and display are powered on. A blinking condition shows that the RJ45 connection is present, but there is no source-to-display connection. No illumination shows that there is no connection thru the RJ45 category cable.



1. **Power:** Connect to DC adapter here to power up device
2. **HDBaseT:** Connect HDBaseT source here
3. **HDMI Output:** Connect to display
4. **AUD OUT:** Audio de-embedded, 3.5mm connector
5. **RS232:** Connect to a display for control
6. **IR:** Connect to IR emitter and sensor

HDBT Receiver RXB-A320 & RXB-B320

Part Number:	RXB-A320 & RXB-B320
Revision Number:	1
Date:	10-1-2016
Page Number:	5 of 5

1723 W. 4th Street Tempe Arizona 85281

P: 800.638.6104 | F: 480.966.6728 | E: sales@covid.com www.covid.com