

## Active Optical HDMI 2.0 Cable with Detachable Connectors

Part Number:	P-HDFH-DC2-XX
Revision Number:	1
Date:	6-8-2017
Page Number:	1 of 5

The Covid Active Optical HDMI 2.0 Cable is the perfect solution for critical AV installations that demand flawless signal integrity. The latest advances in technology allow the Active Optical HDMI 2.0 Cable to be compliant with 4K@60Hz UHD resolutions.

The Active Optical HDMI 2.0 Cable has features unlike any other which make it the best choice when flexibility is the key. The Active Optical HDMI 2.0 Cable is thinner, lighter and more flexible than copper. The HDMI ends quickly detach offering a much smaller head that can be run through conduit or other tight spaces. These features make this HDMI 2.0 cable the perfect flexible solution unlike any other for those tight spaces.

The Active Optical HDMI 2.0 Cable is offered at lengths up to 100m (328ft.), which is far beyond the normal reach of conventional copper HDMI cables. Covid is proud to offer cable jackets that comply with the UL standards and have a Plenum (CMP) Rating, (Low Smoke Zero Halogen, LSZH) Also available by special order).

**Note:** These cables are recommended for point-to-point application use only. Not to be used with wall plates, additional patch cables or coupling devices.

## Features

- Up to 4K 60Hz, Deep Color
- Multi-channel Audio, Dolby TrueHD, DTS-HD Master Audio
- HDMI Compliant : EDID, CEC, (HDCP : Pass Thru for 2.2 and earlier versions)
- Reduced EMI & RFI
- Plug & Play Operation
- Integrator-oriented removable HDMI-A ends for easy advanced wiring
- Interoperable field flexibility : HDMI-D with HDMI-A & HDMI-D with DVI-D single link
- External 5V micro USB power supply cable
- High pulling strength & compression load
- Plenum (CMP) Rating, (Low Smoke Zero Halogen, LSZH)

## Applications

- Professional AV systems interconnection
- In & outdoor digital signage panels & kiosks
- Home theater systems
- Facility automation systems

## Active Optical HDMI 2.0 Cable with Detachable Connectors

Part Number:	P-HDFH-DC2-XX
Revision Number:	1
Date:	6-8-2017
Page Number:	2 of 5

# TECHNICAL SPECIFICATION



## Absolute Maximum Ratings

Parameter	Symbol	Min.	Typ.	Max	Unit
Supply Voltage	VCC	-0.5		6	V
Storage Temperature	Tstg	-30		70	°C
Relative Humidity	RH	5		85	%
Conducted Emission & Radiated Emission			Meet B		Class

## Recommended Characteristics

Parameter	Symbol	Min.	Typ.	Max	Unit
Supply Voltage <sup>1</sup>	VCC	4.8	5	5.3	V
Operating Temperature	T <sub>OP</sub>	0		50	°C

<sup>1</sup> Power supplied from HDMI port and external USB.

## Electric Characteristics

Parameter	Symbol	Min.	Typ.	Max	Unit
Operating Current <sup>2</sup>	I <sub>OP</sub>	48		125	mA
Power Consumption	P <sub>O</sub>	0.24		0.63	W
TMDS Different Input Voltage	V <sub>ID</sub>	400		1600	mV
TMDS Different Output Voltage	V <sub>OD</sub>	200	300	400	mV
TMDS Data Bit Rate		250		6000	Mbps

<sup>2</sup> The operating current is changed according to the resolution.

## Physical Characteristics

Parameter	Value	Unit
Cable Dimensions (WXH)	3.4mm (±0.2mm)	mm
Cable Color	Gray	-
Optical Fiber	Multi-mode fiber	-
Copper Wire	28 AWG	-
Cable Jacket Material	CMP-OF (UL) & LSZH	-
Connector Pull Strength	10	Kg
Compression Load Resistance	50	Kg
Minimum Bending Radius	6	mm
Case Material	ABS (Acrylonitrile-Butadiene-Styrene)	-

## Active Optical HDMI 2.0 Cable with Detachable Connectors

Part Number:	P-HDFH-DC2-XX
Revision Number:	1
Date:	6-8-2017
Page Number:	3 of 5

1723 W. 4th Street Tempe Arizona 85281

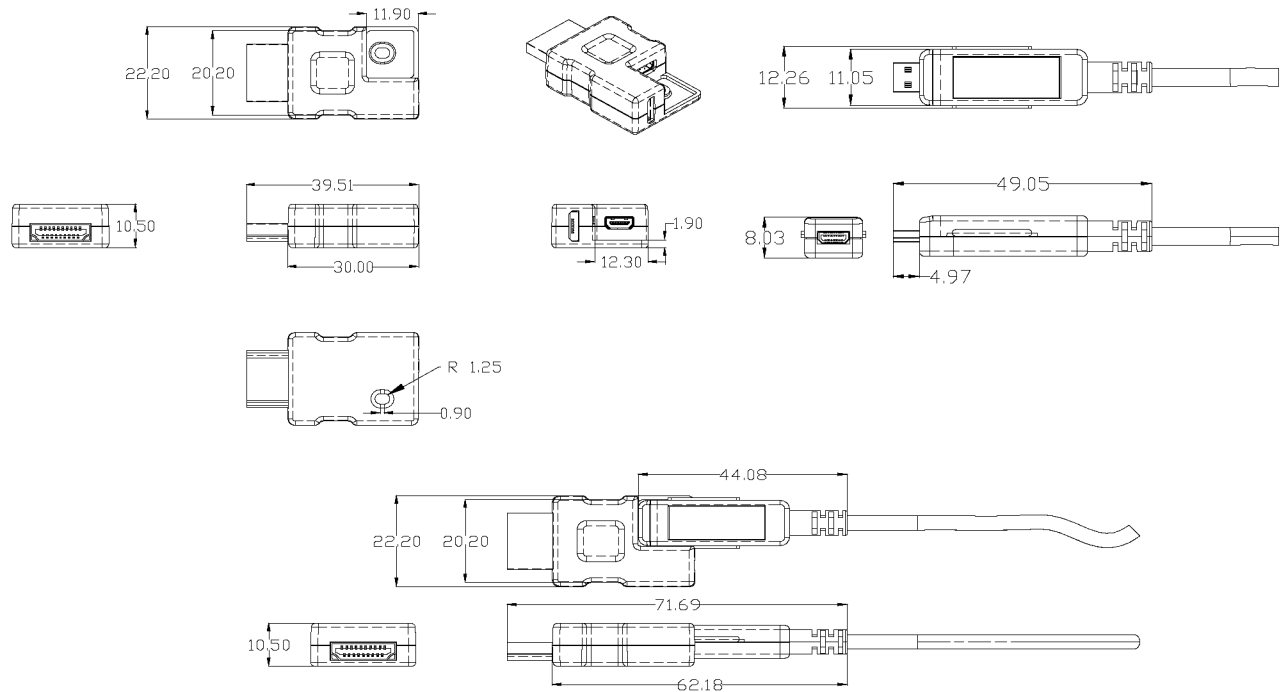
P: 800.638.6104 | F: 480.966.6728 | E: sales@covid.com www.covid.com

# TECHNICAL SPECIFICATION



## Product Dimensions

Unit of Measure (mm)



## HDMI Pin Description

Pin	Symbol	
1	CH2+	TMDS data signal channel 2 positive
2	GND	TMDS data signal channel 2 shield
3	CH2-	TMDS data signal channel 2 shield
4	CH1+	TMDS data signal channel 1 positive
5	GND	TMDS data signal channel 1 shield
6	CH1-	TMDS data signal channel 1 negative
7	CH0+	TMDS data signal channel 0 positive
8	GND	TMDS data signal channel 0 shield
9	CH0-	TMDS data signal channel 0 negative
10	CLK+	TMDS data signal channel positive

Pin	Symbol	
11	GND	TMDS clock signal channel shield
12	CLK-	TMDS clock signal channel negative
13	CEC	Consumer Electric Control
14	N.C	N.C
15	SCL	DDC clock
16	SDA	DDC data
17	GND	DDC/CEC shield
18	5V	DC +5V
19	HPD	Monitor detector signal

## Active Optical HDMI 2.0 Cable with Detachable Connectors

Part Number:	P-HDFH-DC2-XX
Revision Number:	1
Date:	6-8-2017
Page Number:	4 of 5

1723 W. 4th Street Tempe Arizona 85281

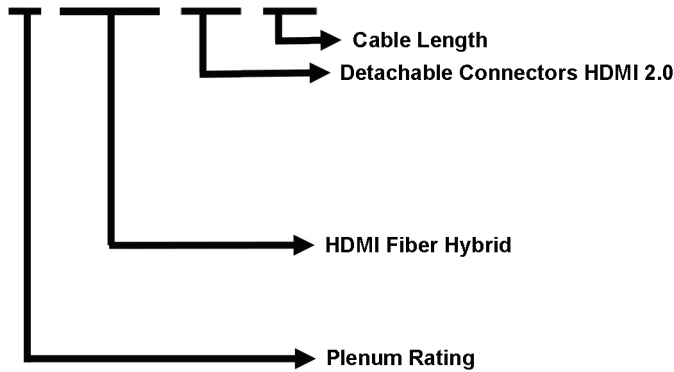
P: 800.638.6104 | F: 480.966.6728 | E: sales@covid.com www.covid.com

# TECHNICAL SPECIFICATION



## Ordering Information

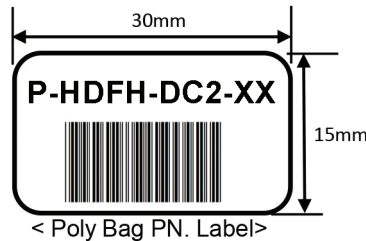
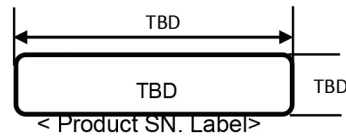
**P-HDFH-DC2-XX**



## Cable Length Index

Length	Code
32ft.	32
49ft.	49
75ft.	75
98ft.	98
164ft.	164
196ft.	196
262ft.	262
328ft.	328

## Product Labeling



## Safety Labels



Caution Use of controls or adjustments or performance of procedures other than those specified herein may result in hazardous radiation exposure.

-Please do not disassemble, Modify the product or cut off the cable

## Active Optical HDMI 2.0 Cable with Detachable Connectors

Part Number:	P-HDFH-DC2-XX
Revision Number:	1
Date:	6-8-2017
Page Number:	5 of 5

1723 W. 4th Street Tempe Arizona 85281

P: 800.638.6104 | F: 480.966.6728 | E: sales@covid.com www.covid.com