

## Active Optical DVI Cable with Detachable Connectors

Part Number:	P-DVIFH-DC-XX
Revision Number:	1
Date:	6-23-2016
Page Number:	1 of 6

The Covid Active Optical DVI Cable is the perfect solution for critical AV installations that demand flawless DVI signal integrity. The latest advances in technology allow the Active Optical DVI Cable to feed unmatched signal fidelity with no loss.

The Active Optical DVI Cable has features unlike any other which make it the best choice when flexibility is the key. The Active Optical DVI Cable is thinner, lighter and more flexible than copper. The DVI ends quickly detach offering a much smaller head that can be run through conduit or other tight spaces and they are also interchangeable. HDMI or DVI connectors can be purchased separately to easily make a DVI to HDMI, HDMI to HDMI or DVI to DVI interconnect using the same optic cable. These features make this DVI cable the perfect flexible solution unlike any other for those tight spaces.

The Active Optical DVI Cable is offered at lengths up to 100m (328ft.), which is far beyond the normal reach of conventional copper DVI cables. Covid is proud to offer cable jackets that comply with the UL standards and have a Plenum (CMP) Rating, (Low Smoke Zero Halogen, LSZH) Also available by special order).

**Note:** These cables are recommended for point-to-point application use. Please do not use with wall plate applications.

## Features

- Supports HDTV resolution up to FullHD 1080p (1920x1080@60Hz)
- Supports VESA resolution up to UXGA (1600x1200@60Hz) & WUXGA (1920x1200@60Hz)
- Plug & Play Operation
- Integrator-oriented removable DVI ends for easy advanced wiring
- No external power required
- High pulling strength & compression load
- Optional cable jacket (compliant with UL CMP-OF Plenum & IEC Low Smoke Zero Halogen)
- EMI/RFI Immunity to AV signal communication

## Applications

- Professional AV systems interconnection
- Public digital signage panels & kiosks
- Medical devices & facilities video transport
- Facility automation systems

## Active Optical DVI Cable with Detachable Connectors

Part Number:	P-DVIFH-DC-XX
Revision Number:	1
Date:	6-23-2016
Page Number:	2 of 6

## Absolute Maximum Ratings

Parameter	Symbol	Min.	Typ.	Max	Unit
Supply Voltage	VCC	-0.5		6	V
Storage Temperature	Tstg	-20		70	°C
Relative Humidity	RH	5		85	%
Electrostatic Discharge Immunity (Air: 8kV, Contact: 6kV)		B			Class

## Recommended Characteristics

Parameter	Symbol	Min.	Typ.	Max	Unit
Supply Voltage <sup>1</sup>	VCC	4.8	5	5.3	V
Operating Temperature	T <sub>OP</sub>	0		50	°C

<sup>1</sup> All power supplied from DVI port.

## Electric Characteristics

Parameter	Symbol	Min.	Typ.	Max	Unit
Operating Current	I <sub>OP</sub>	35	50	56	mA
Power Consumption	P <sub>O</sub>	0.18	0.25	0.28	W
TMDS Different Input Voltage	V <sub>ID</sub>	400		1600	mV
TMDS Different Output Voltage	V <sub>OD</sub>	200	300	400	mV
TMDS Data Bit Rate		250		1650	Mbps

## Physical Characteristics

Parameter	Value	Unit
Cable Dimensions (WXH)	3.4mm (±0.2mm)	mm
Cable Color	Gray	-
Optical Fiber	Multi-mode fiber	um
Copper Wire	28 AWG TA (7/0.127mm)	-
Cable Jacket Material	CMP-OF (UL) & LSZH	-
Connector Pull Strength	10	Kg
Compression Load Resistance	50	Kg
Minimum Bending Radius	6	mm
Case Material	ABS (Acrylonitrile-Butadiene-Styrene)	-

Part Number:	P-DVIFH-DC-XX
Revision Number:	1
Date:	6-23-2016
Page Number:	3 of 6

# Active Optical DVI Cable with Detachable Connectors

1723 W. 4th Street Tempe Arizona 85281

P: 800.638.6104 | F: 480.966.6728 | E: sales@covid.com www.covid.com

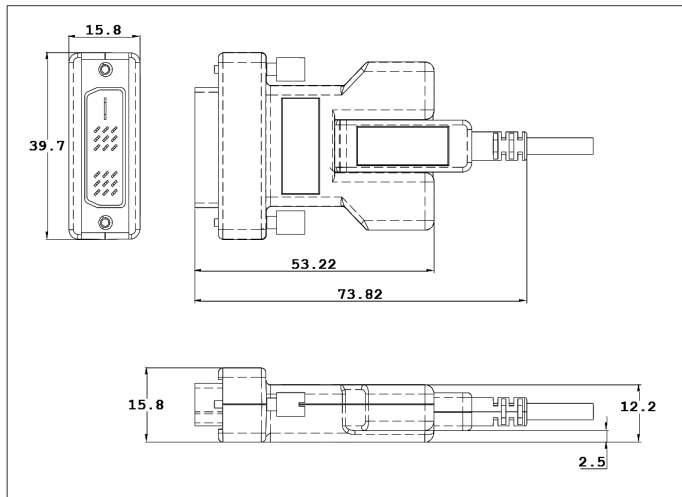
# TECHNICAL SPECIFICATION



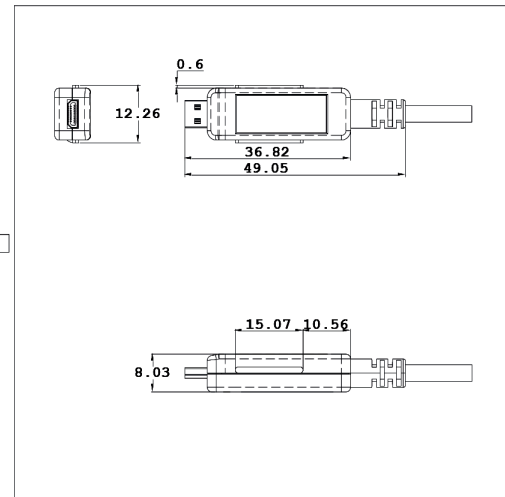
## Product Dimensions

Unit of Measure (mm)

### Main Tx & Main Rx

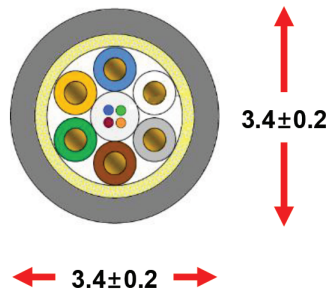


### Sub Tx & Sub Rx



### - Cable

Unit of Measure [mm]



## Active Optical DVI Cable with Detachable Connectors

Part Number:	P-DVIFH-DC-XX
Revision Number:	1
Date:	6-23-2016
Page Number:	4 of 6

1723 W. 4th Street Tempe Arizona 85281

P: 800.638.6104 | F: 480.966.6728 | E: sales@covid.com www.covid.com

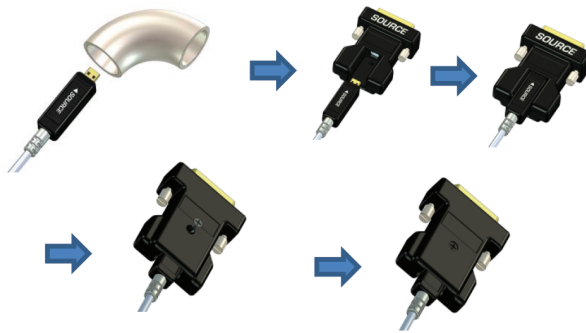
## Physical Characteristics

Pin	Symbol	
1	Data2-	Data channel 2 negative
2	Data2+	Data channel 2 positive
3	Data2 shield	Data channel 2 shield
4	-	N.C.
5	-	N.C.
6	SCL	DDC clock
7	SDA	DDC data
8	-	N.C.
9	Data1-	Data channel 2 negative
10	Data1+	Data channel 2 positive
11	Data shield	Data channel 2 shield
12	-	N.C.

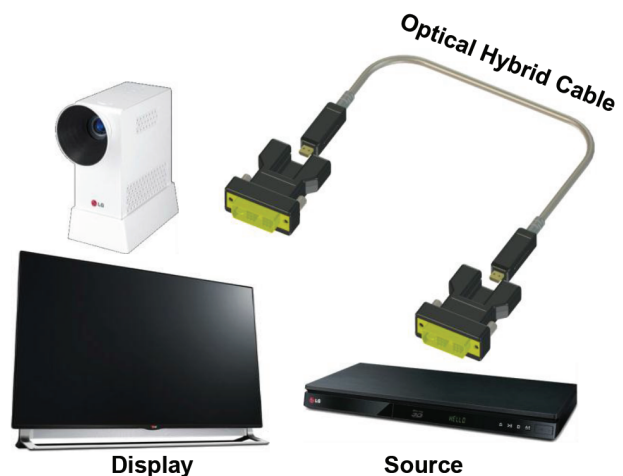
Pin	Symbol	
13	-	N.C.
14	+5V	DC +5V
15	GND	GND
16	HPD	Hot plug detector
17	Data0-	Data channel 0 negative
18	Data0+	Data channel 0 positive
19	Data0/5 shield	Data channel 0 shield
20	-	N.C.
21	-	N.C.
22	Clock shield	Clock shield
23	Clock+	Clock channel positive
24	Clock-	Clock channel negative

## Product Installation Diagram

1. Pulling through conduit    2. Remove the screw & cap



3. Connect main + Sub    4. Tighten the screw



1. Sub Tx (or Sub RX) pass through the conduit.
2. Remove the screw and cap.
3. Connect main Tx to sub Tx and main Rx to sub Rx.
4. Plug in Tx connector labeled "SOURCE" to DVI port of source device like PC.
5. Plug in Rx connector labeled "DISPLAY" to DVI port of display device like a monitor.
6. Follow the same process to connect other SOURCE and DISPLAY devices.

## Active Optical DVI Cable with Detachable Connectors

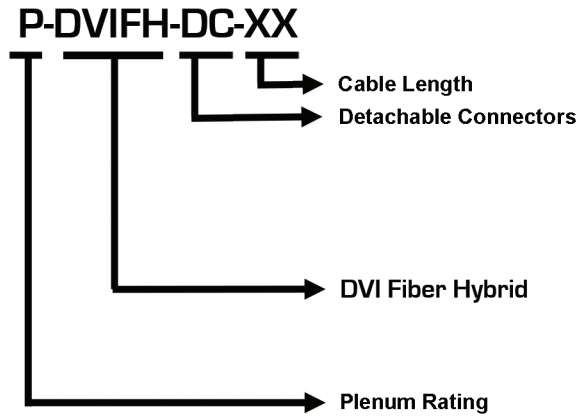
Part Number:	P-DVIFH-DC-XX
Revision Number:	1
Date:	6-23-2016
Page Number:	5 of 6



# TECHNICAL SPECIFICATION



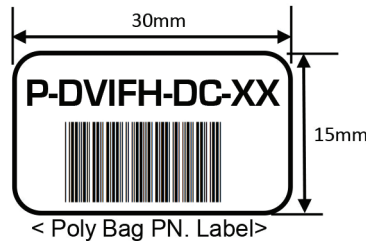
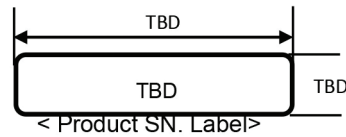
## Ordering Information



## Cable Length Index

Length	Code
32ft.	32
49ft.	49
75ft.	75
98ft.	98
164ft.	164
196ft.	196
262ft.	262
328ft.	328

## Product Labeling



## Safety Labels



Caution Use of controls or adjustments or performance of procedures other than those specified herein may result in hazardous radiation exposure.

-Please do not disassemble, Modify the product or cut off the cable

## Active Optical DVI Cable with Detachable Connectors

Part Number:	P-DVIFH-DC-XX
Revision Number:	1
Date:	6-23-2016
Page Number:	6 of 6

1723 W. 4th Street Tempe Arizona 85281

P: 800.638.6104 | F: 480.966.6728 | E: sales@covid.com www.covid.com